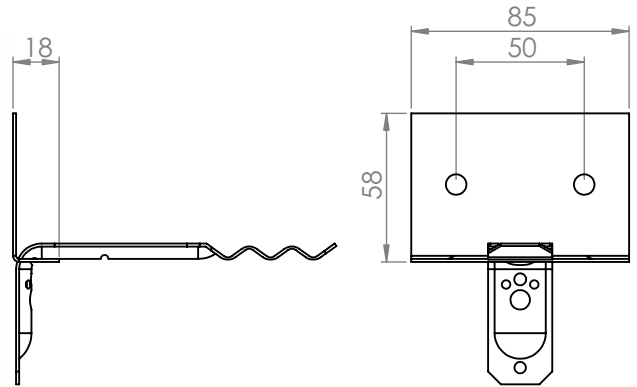


## Face Fix Slide Veneer Tie



Medium duty shown - sliding bracket interchangeable

### DESCRIPTION

Face fix slide veneer tie. For fastening masonry to new or existing structures.  
 \*install flush with clay bricks and 15mm clearance with other types of masonry.

### FEATURES

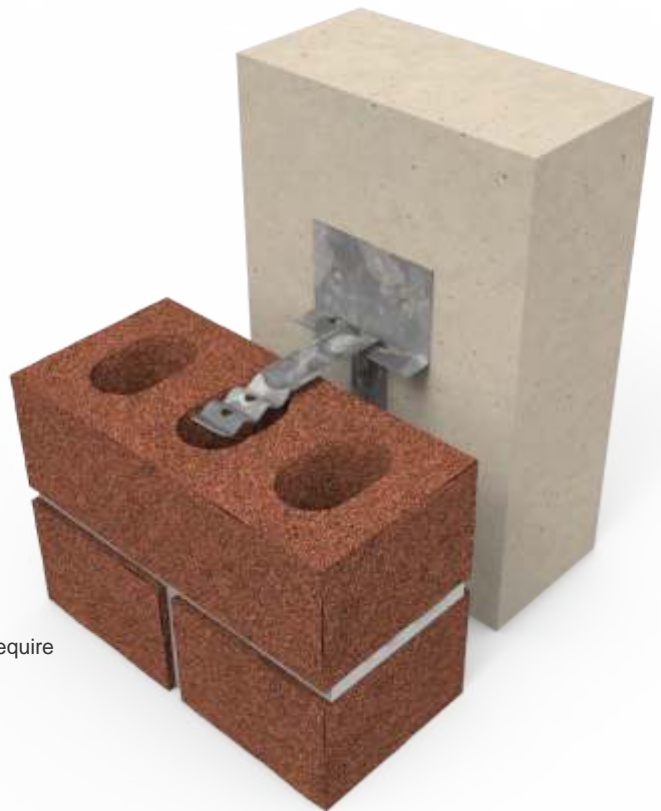
- Clay brick
- Maximum cavity 125mm
- Medium & heavy duty
- Universal applications / remedial
- Australian design & tested AS/NZS 2699.2:2020

### FIXING REQUIREMENTS

- 60mm x 6mm dia AM premium concrete screw (Concrete)
- 32mm x 5mm dia mushroom spikes head anchor (Concrete)
- Cerra Multipurpose Screw hex head 10g X 35mm (Metal / Timber)
- For more information contact us with your project requirements.

### CORROSION CHARACTERISTICS

Galvanised Z600 (R2)  
 Hot dipped galvanising (R3)  
 Stainless steel 316L (R4)  
 Conforms to corrosion resistance set by AS/NZS 2699.2:2020 / AS 3700.



### ORDERING INFORMATION

When ordering please supply use with the part number and quantity you require

